

11 Tracks>Square Track Surface

40003A/W



3-Phase 16A square track for commercial applications.

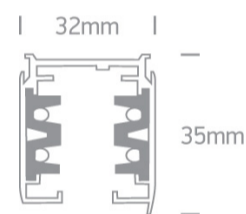
Complies with standard EN60598-1 and any other specific standards.



Downloads



Dimensions

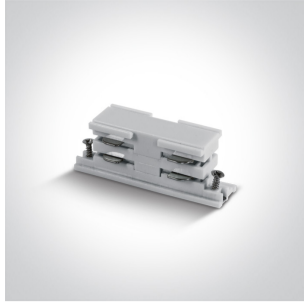




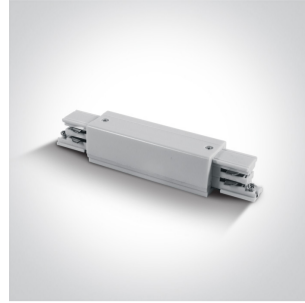
41004A/W/L



41004A/W/R



41008A/W



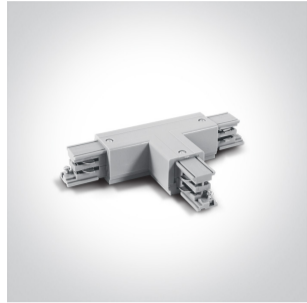
41010A/W



41012A/W/L



41012A/W/R



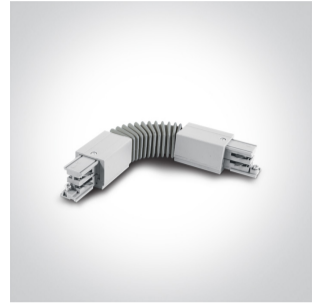
41016A/W



41020/W



41022A/W



41024A/W



41026R/W



41032/W

Physical Specification

Item Group	11 Tracks
Family	Square Track Surface
Order Code	40003A/W
Colour	White
Material	Aluminium
Shape	Rectangular
Length	3000mm
Width	32mm
Height	35mm
Surface Ceiling	Yes
Suspended Ceiling	Yes
Indoor	Yes
Adjustable	No

Packing Info

Box Weight	2,5kg
Pcs/Carton	10
Barcode	5291889023418
HS Code	9405990090

Certification & Warranty

Warranty	5 Years
----------	---------

switch to
one light!

one
LIGHT

