

INSTALLATION MANUAL

67282N

ecolight



| 221x221mm |



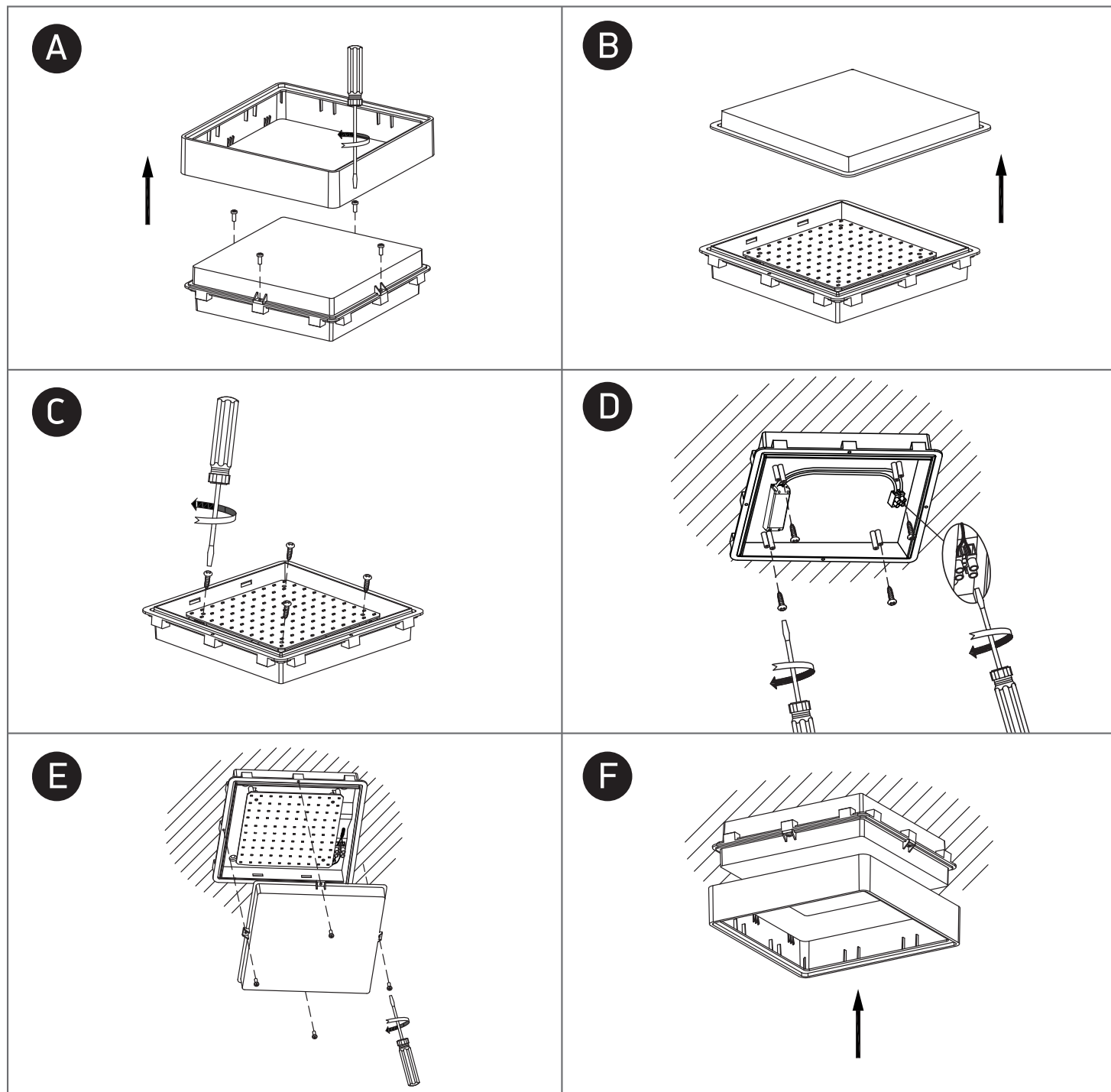
57mm

230V | SMD 2835 | 16W | IP65 | ABS + PC

Complete with 500mA driver.

80
CRI

one
LIGHT



Warnings:

1. Make sure that the product is installed properly before connecting to electricity.
2. Do not cover the fitting.
3. Maintenance and installation should only be carried out by a professional electrician.